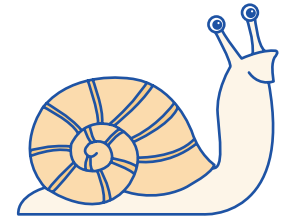


Reception Teacher's Handbook

Phase Four Week 5

Resource Pack

Contents



| | |
|---|----|
| Sound button word cards for vowel digraphs | 1 |
| Vowel digraph words | 4 |
| Matching pictures for vowel digraph words | 6 |
| Two-syllable word cards | 8 |
| 'Finish This' sentences for Week 5 | 10 |

Sound button word cards for **vowel digraphs**

steep



spears



clown



groan



Sound button word cards for **vowel digraphs** continued

spoon



smart



spoil



boost



Sound button word cards for **vowel digraphs** continued

bright

burst

trail

flower

Vowel digraph words

stairs

scoop

sweet

snail

Vowel digraph words continued

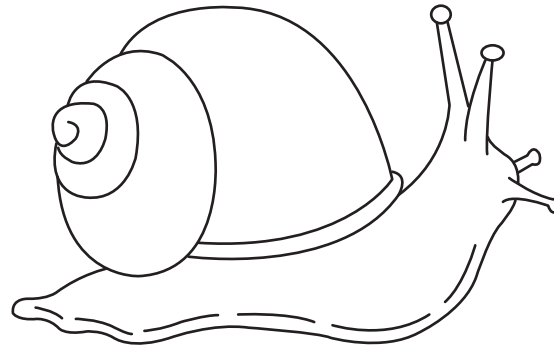
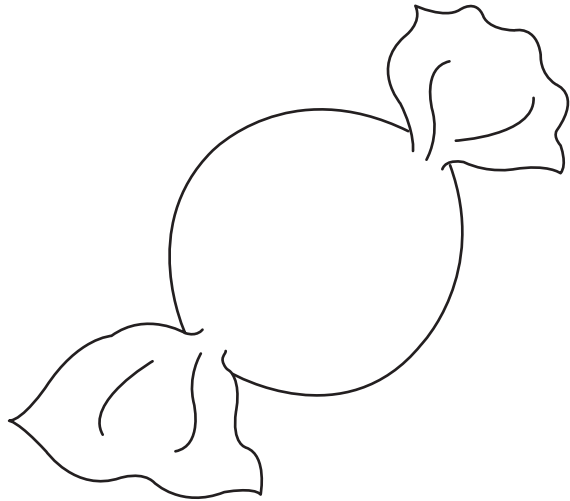
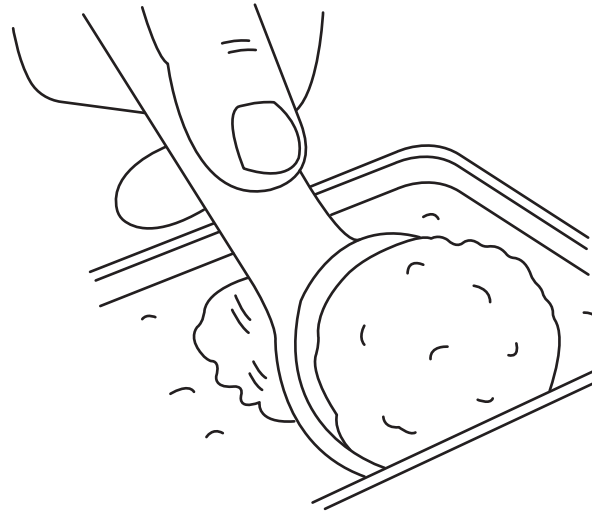
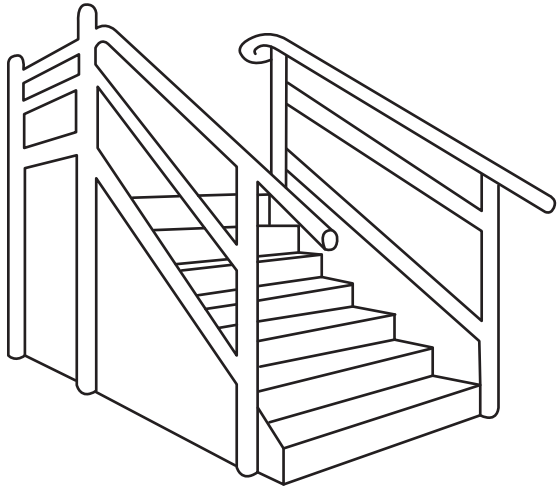
crown

toast

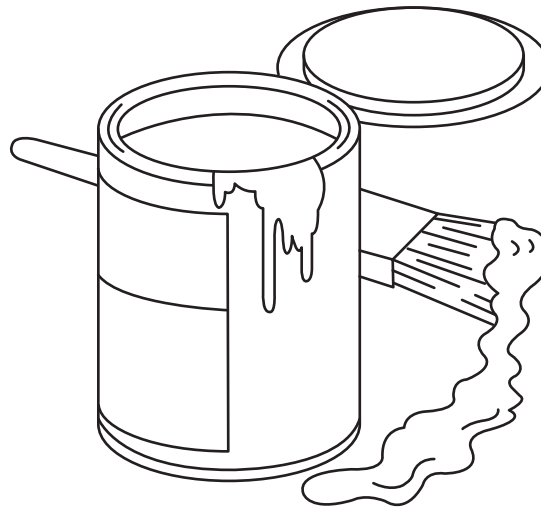
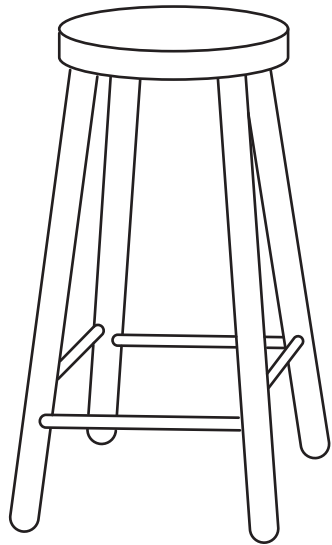
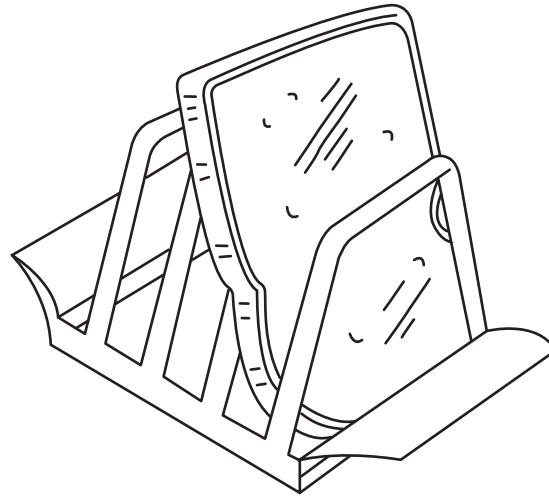
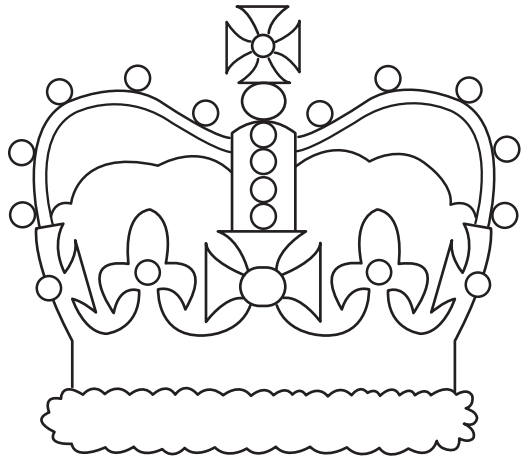
stool

paint

Matching pictures for **vowel digraph** words



Matching pictures for **vowel digraph words** continued



Two-syllable word cards

hairbrush

trainers

waistcoat

dustbin

spotlight

hairgrip

stardust

woodland

There were lots of
flowers in the _____ .

Answer: woodland

The runner lost one
of her _____.

Answer: trainers