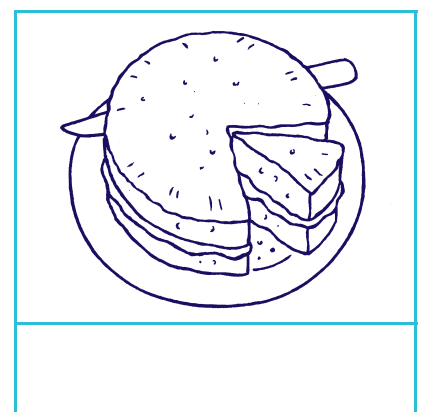
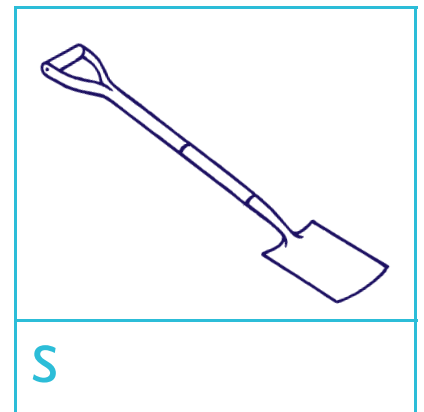
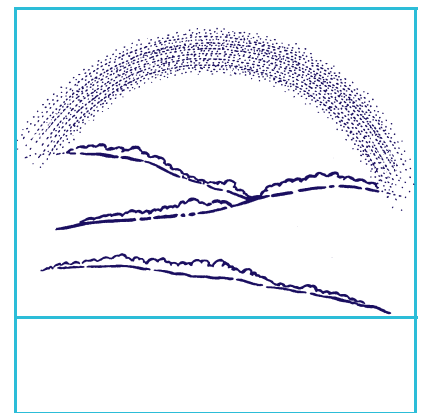
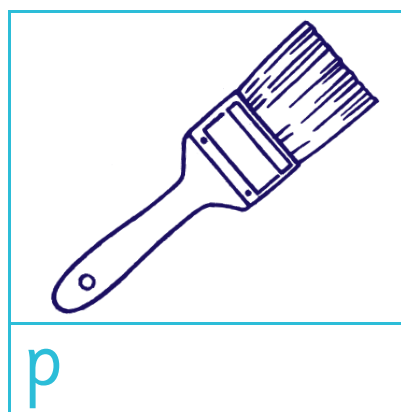
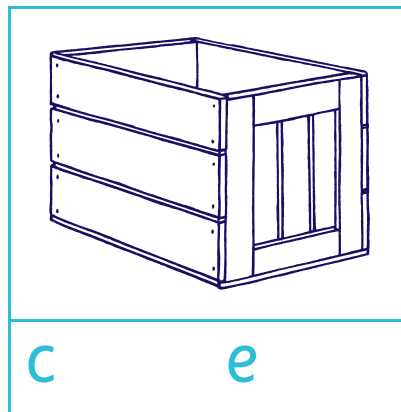
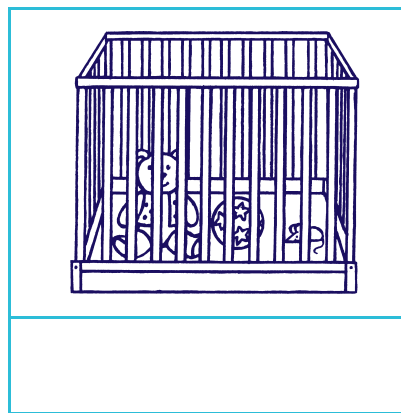
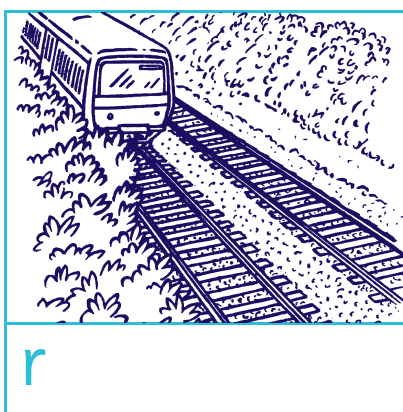
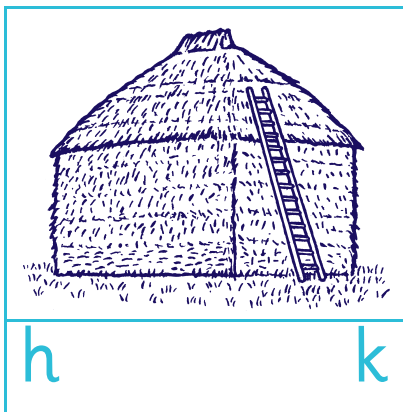
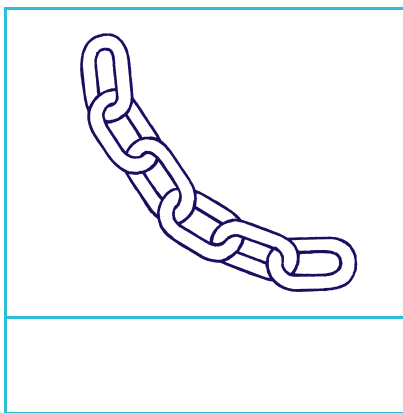


# Spelling choices: long a

Say the word to go with the picture.  
Each word contains the **long a** vowel sound.

Choose the correct spelling for the **long a** sound.  
Is it spelt **ai**, **ay** or **a-e**?  
Write the word.



h

k

c

e

s

r

p